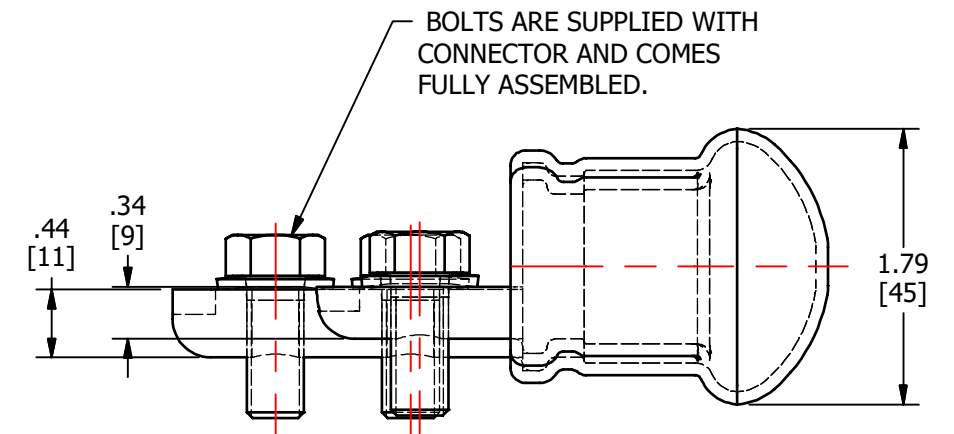
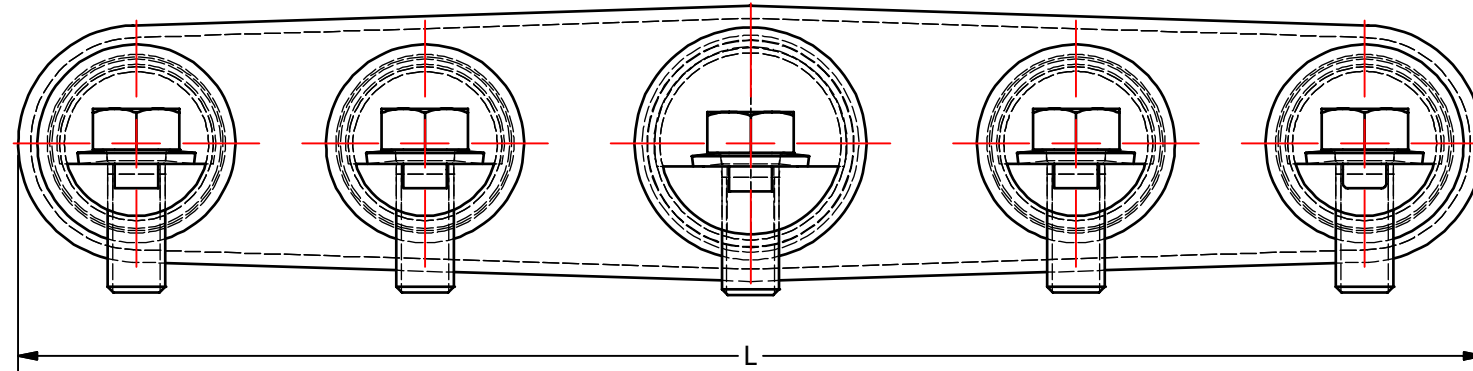
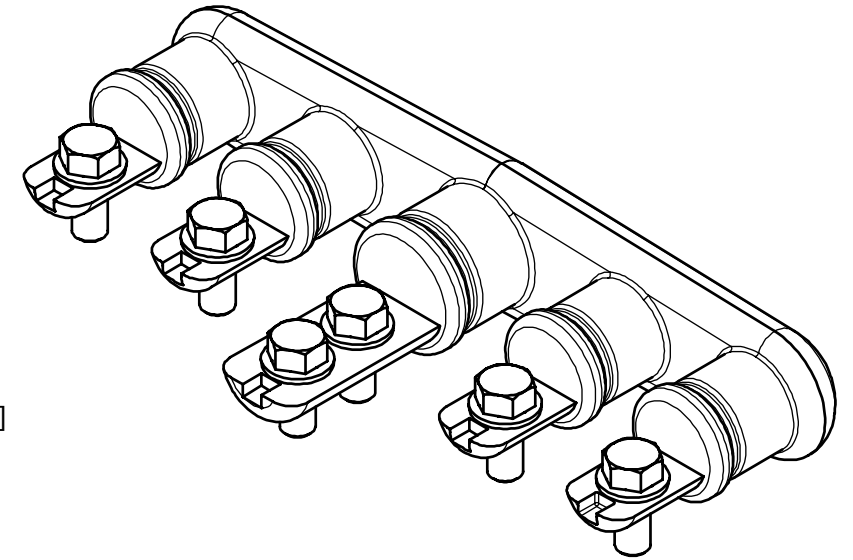
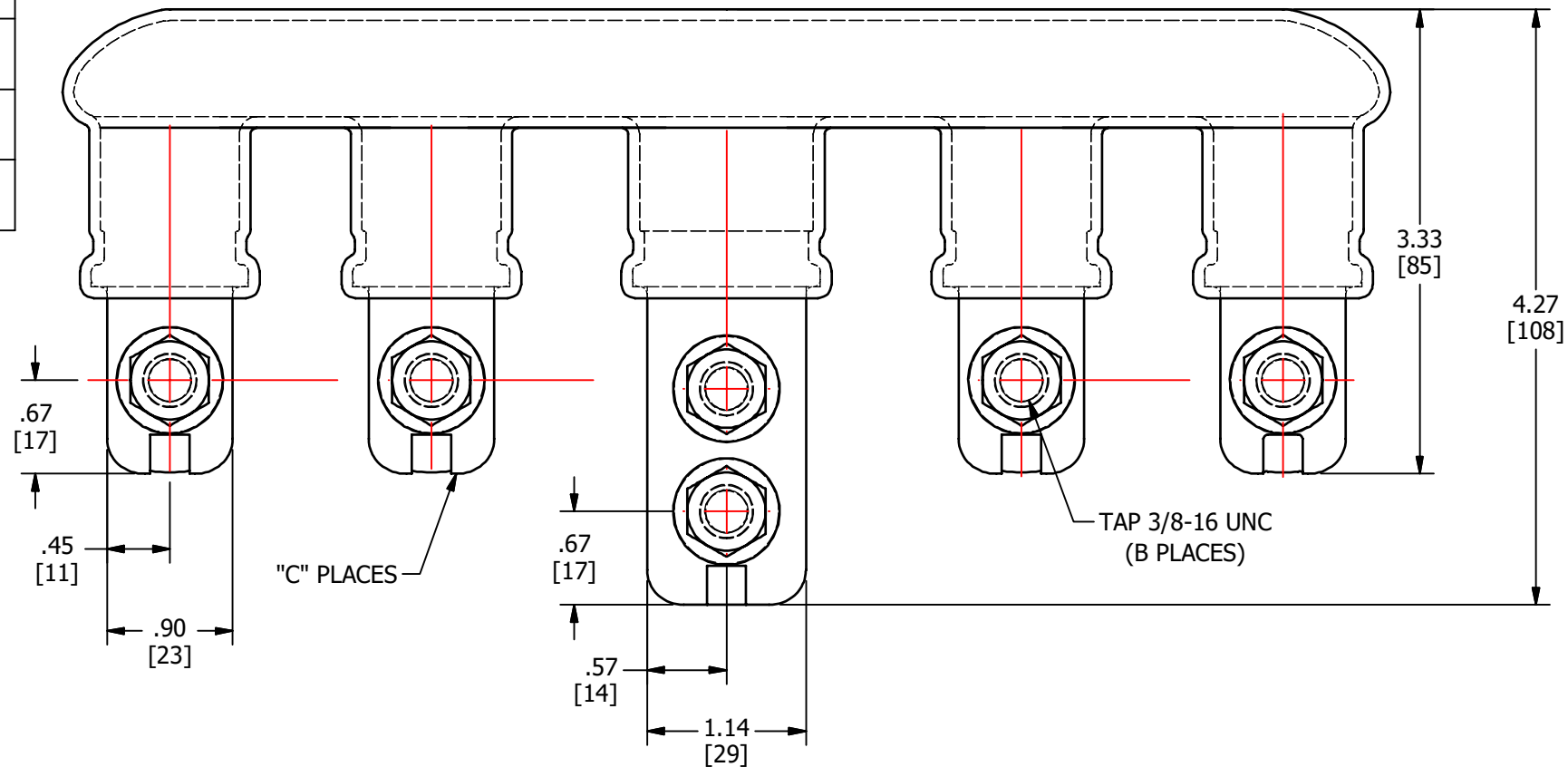


S.NO	CATALOG NUMBER	L	B	C
1	UC41	7.52 [191]	5	3
2	UC51	9.38 [238]	6	4
3	UC61	11.26 [286]	7	5
4	UC81	15.05 [382]	9	7



MATERIAL: ALUMINUM  
VOLTAGE RATING: 600 V

REV.	DESCRIPTION	ECN	DATE	INIT.	TO ORDER CMC PRODUCTS CALL 1-513-860-4455	DRAWN BY: TS 05-29-19	NAME OF PART: SUBMERSIBLE PEDESTAL CONNECTOR ASSEMBLY	CAT. NO.: SEE TABLE
A	NEW DRAWING CREATED		05-29-19	TS	FOR PRODUCT INFO: <a href="http://www.cmclugs.com">http://www.cmclugs.com</a>	CHECKED BY:	DWG NO: U55700064-S (CHARTED)	B
						DRAWING NOT TO SCALE		SHEET NO: 1 OF 1

THIS INFORMATION IS PROPRIETARY TO CONNECTOR MFG. CO. AND IS NOT TO BE DISCLOSED OUTSIDE OF CONNECTOR MFG. CO. WITHOUT A CONFIDENTIALITY AGREEMENT



CONNECTOR MANUFACTURING CO.

HAMILTON, OHIO

